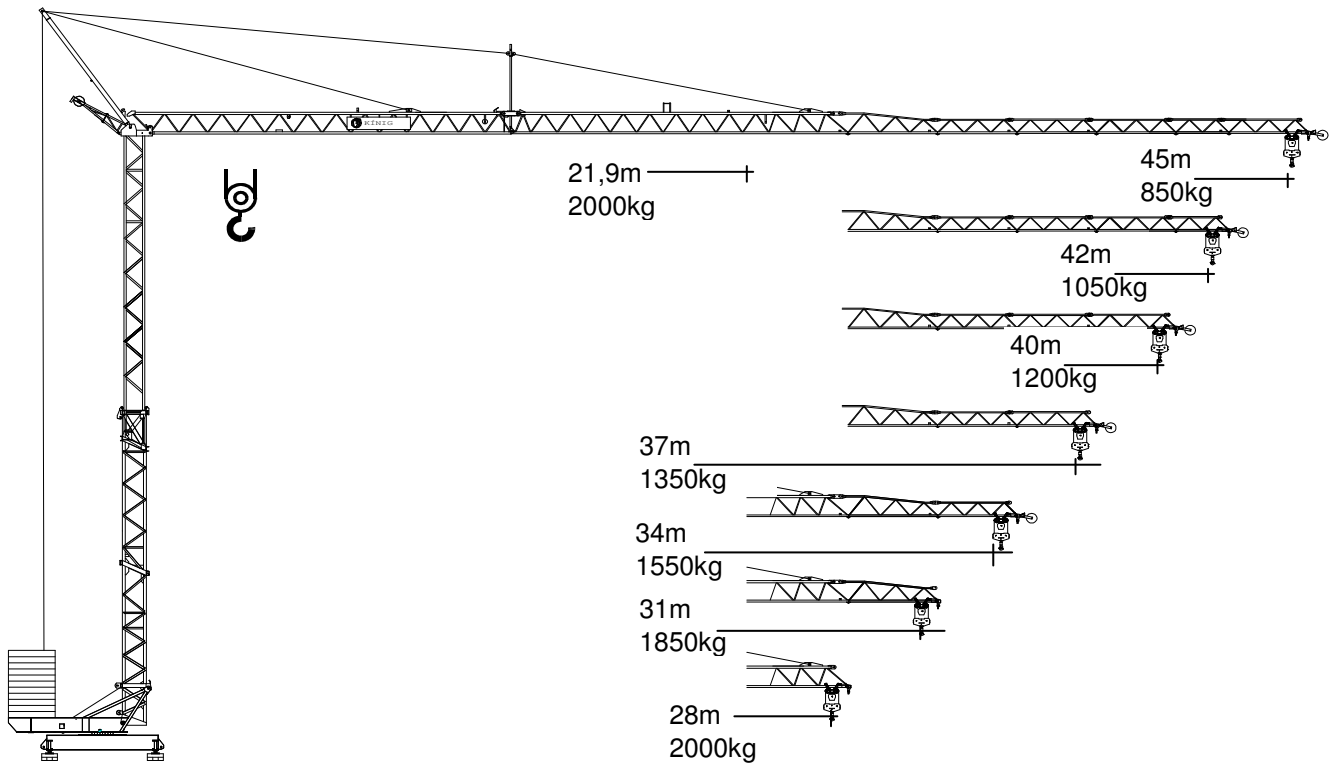


Turmdrehkran K 70

Self-erecting Crane Grue à tour



Das Kransystem mit der Qualität bis ins Detail

The crane system with quality
in every detail

*Dans ce systeme le moindre détail
est synonyme de qualité*

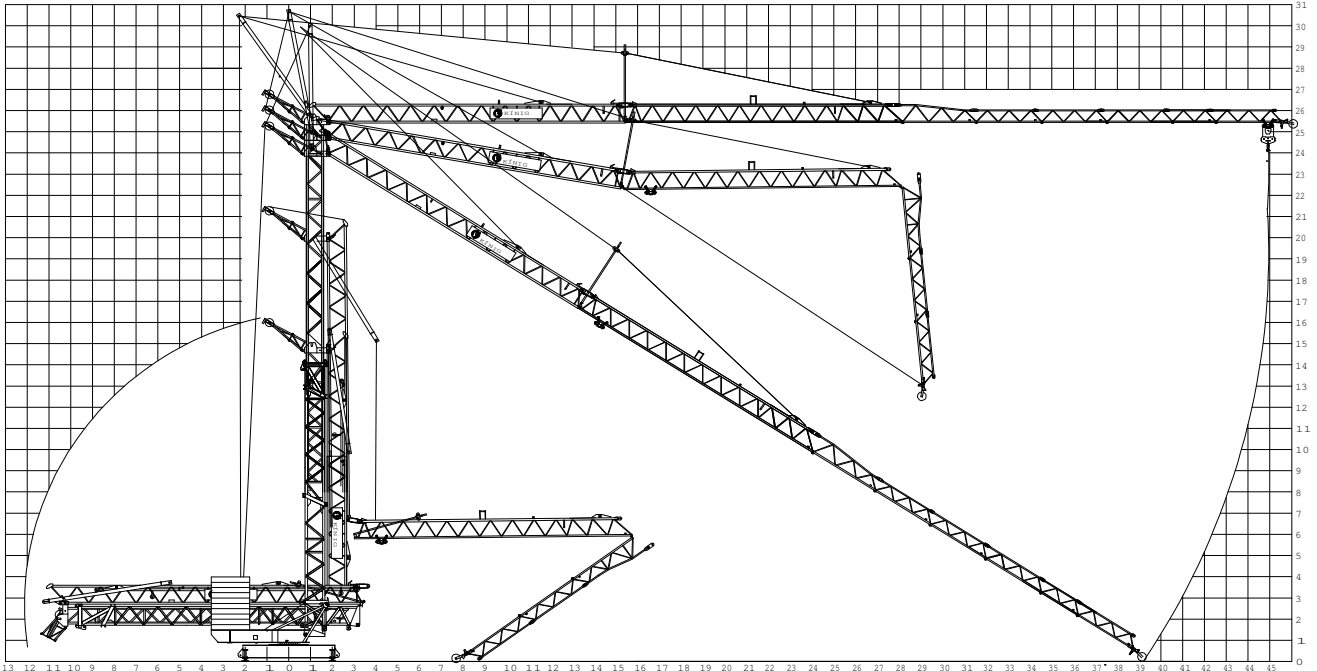
CE

DIN 15018 - H1 - B3



KÖNIG-KRANE®

Montage Mounting Montage



Gewichte Weight Poids

| | | | | | |
|--|----------------------------|-------------------------------|--|--|--------|
| Konstruktionsgewicht ca. Dead weight approx. <i>Poids de la construction env.</i> | | 17,4 t | Transportgewicht ca.* Transport weight approx. <i>Poids de transport env.</i> | | 18,9 t |
| Gegengewicht Counterweight <i>Contrepoids</i> | R=3,55 R=3,00 R=2,70 | 27,95 t 32,25 t 35,75 t | * inkl. Transportachse KSFW | | |

König Baumaschinen-Vertrieb GmbH
 Postfach 1164 - D-53563 Asbach/Ww.
 D-53567 Asbach-Schöneberg
 Tel.: ++49 (0)2683 / 9172-0
 Fax: ++49 (0)2683 / 9172-10
 eMail: info@koenig-krane.de
 Internet: www.koenig-krane.de

Ihr König-Fachhändler:

K 70

Technische Daten Technical data Caractéristiques techniques

Ausladung und Tragfähigkeit

Radius and capacity *Portée et charge*

| Ausladung | | max. Tragkr. | | m x kg | | | | | | | | | | | |
|-----------|----|--------------|------|--------|------|------|------|------|------|------|------|------|------|------|------|
| m | 0° | t | m | 18 | 20 | 22 | 24 | 26 | 28 | 31 | 34 | 37 | 40 | 42 | 45 |
| | | 2,0 | 21,5 | 2000 | 2000 | 1940 | 1750 | 1590 | 1450 | 1280 | 1140 | 1030 | 930 | 880 | 800 |
| 30° | | Ausl. (m) | | 15,5 | 17,5 | 19,0 | 21,0 | 22,5 | 24,5 | 27,0 | 29,5 | 32,0 | 34,5 | 36,5 | 39,0 |
| 30° | | HH (m) | | 32,0 | 33,0 | 34,0 | 35,0 | 36,0 | 37,0 | 38,5 | 40,0 | 41,5 | 43,0 | 44,0 | 45,5 |
| 10° | | Ausl. (m) | | 17,5 | 19,5 | 21,5 | 23,5 | 25,5 | 27,5 | 30,5 | 33,5 | 36,5 | 39,0 | 41,0 | 44,0 |
| 10° | | HH (m) | | 26,5 | 27,0 | 27,5 | 28,0 | 28,0 | 28,5 | 29,0 | 29,5 | 30,0 | 30,5 | 31,0 | 31,5 |

| Ausladung | | max. Tragkr. | | m x kg | | | | | | | | | | | |
|-----------|----|--------------|------|--------|------|------|------|------|------|------|------|------|------|------|-----|
| m | 0° | t | m | 13 | 16 | 19 | 22 | 25 | 28 | 31 | 34 | 37 | 40 | 42 | 45 |
| 45 | | 2,0 | 21,9 | 2000 | 2000 | 2000 | 1990 | 1710 | 1500 | 1330 | 1190 | 1080 | 980 | 930 | 850 |
| | | 4,0 | 12,1 | 3660 | 2840 | 2310 | 1940 | 1660 | 1450 | 1280 | 1140 | 1030 | 930 | 880 | 800 |
| 42 | | 2,0 | 24,2 | 2000 | 2000 | 2000 | 2000 | 1930 | 1690 | 1500 | 1350 | 1220 | 1110 | 1050 | |
| | | 4,0 | 13,3 | 4000 | 3200 | 2610 | 2190 | 1880 | 1640 | 1450 | 1300 | 1170 | 1060 | 1000 | |
| 40 | | 2,0 | 25,8 | 2000 | 2000 | 2000 | 2000 | 2000 | 1820 | 1620 | 1450 | 1320 | 1200 | | |
| | | 4,0 | 14,1 | 4000 | 3430 | 2800 | 2350 | 2020 | 1770 | 1570 | 1400 | 1270 | 1150 | | |
| 37 | | 2,0 | 26,4 | 2000 | 2000 | 2000 | 2000 | 2000 | 1870 | 1660 | 1490 | 1350 | | | |
| | | 4,0 | 14,4 | 4000 | 3520 | 2870 | 2410 | 2080 | 1820 | 1610 | 1440 | 1300 | | | |
| 34 | | 2,0 | 27,3 | 2000 | 2000 | 2000 | 2000 | 2000 | 1940 | 1730 | 1550 | | | | |
| | | 4,0 | 14,8 | 4000 | 3660 | 2980 | 2510 | 2160 | 1890 | 1680 | 1500 | | | | |
| 31 | | 2,0 | 29,0 | 2000 | 2000 | 2000 | 2000 | 2000 | 2000 | 1850 | | | | | |
| | | 4,0 | 15,7 | 4000 | 3910 | 3200 | 2690 | 2320 | 2030 | 1800 | | | | | |
| 28 | | 2,0 | 28,4 | 2000 | 2000 | 2000 | 2000 | 2000 | 2000 | | | | | | |
| | | 4,0 | 15,7 | 4000 | 3910 | 3200 | 2690 | 2320 | 2030 | | | | | | |

Geschwindigkeiten Speeds Vitesses

| | Stufe Step Cran | m/min. | kg | kW |
|--|-----------------|--------------------------------|-------------|-----|
| | 1 | 6 - 3 | 2000 - 4000 | 3,5 |
| | 2 | 24 - 12 | 2000 - 4000 | 9 |
| | 3 | 48 - 24 | 1100 - 2200 | 11 |
| | 1 | 20 | | 1,1 |
| | 2 | 40 | | 1,5 |
| | 0-0,7 | U/min. sl./min. tr./min. | | 3,0 |



Leitungsquerschnitt bis 50 m
Cross section of cable up to
Section de cable jusque à
5x10²

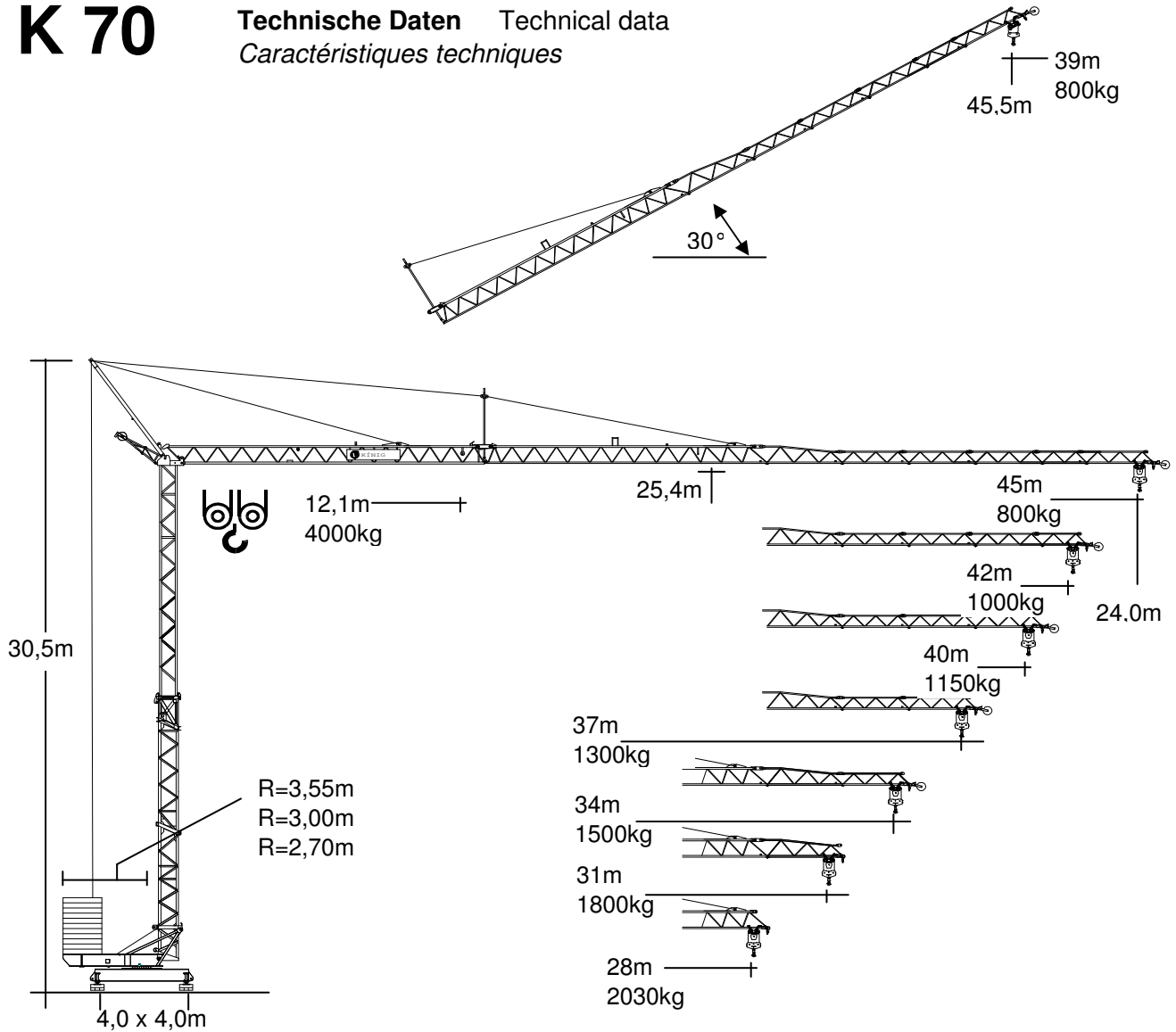
Betriebsspannung
Operation voltage
Tension de service
400 V

Frequenz
Frequency
Fréquence
50 Hz

Gesamtanschlußwert
Power requirement
Puissance requise
13,2 kVA (14,7 KW)

K 70

Technische Daten Technical data
Caractéristiques techniques



| | In Betrieb In service En service | außer Betrieb Out of service Hors service |
|------------------------------------|--|---|
| Eckdrücke Reactions Réaction | 28,5 t | 23,7 t |

Straßentransport

Transport by road

Transport sur la route

